

CONNECTING:

Rear view of appliance:

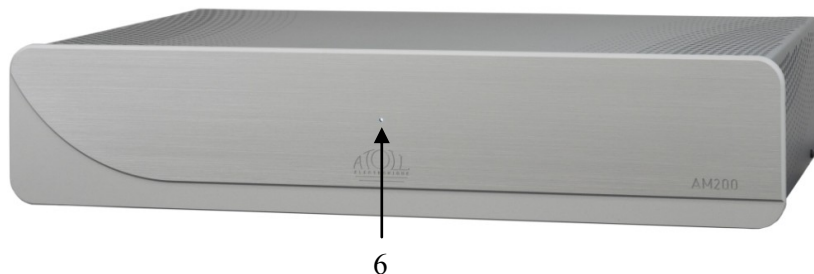


- 1) Ampli IN (double pair)
- 2) General power plug and ON/OFF button (with internal fuse)
- 3) Left channel Output
- 4) Right channel Output
- 5) Trigger Input: This input allows the control ON/OFF of your amplifier simultaneously to any device with a 12V trigger outlet. In order that the system is operating, the ON/OFF button of your AM200 must remain in position OFF (position (0)). If the switch is in the ON position (I), the amplifier will work but not the Trigger function.

Trigger cable must be a Male to Male STEREO jack plug 3.5mm (1/8")

DETAILS OF FUNCTIONS:

Front view of Amplifier:



- 6) Power indicator led.

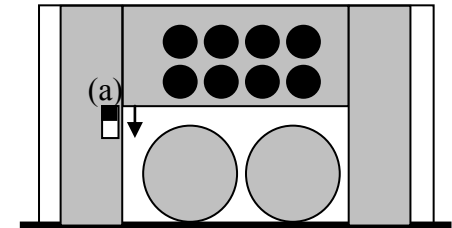
ADVISES:

- To optimise the performances of your amplifier, you should switch it on at least half an hour before any listening, the time for power stage to reach their ideal working temperature. Between two utilisation, it's better to use the stand-by position, so that the power stages remains at their optimal temperatures.
- We advise you to use good wires to link with the other elements (Preamplifier, Loudspeakers...). Don't hesitate to take advise from your dealer.
- Your Amplifier is equipped with a temporised switch on. A relay protect loudspeakers on output power stage from over-voltage.

MODE BRIDGE MONO

To transform your Power Amplifier from Stereo to mono, you have to push the switch (a) placed inside the appliance as shown below:

Careful: be sure that your amplifier is unplugged and that no other appliance is plug in during this operation.



E.C. MARKING:

E.C. marking certified the conformity with low tension directive 73/23/CEE, directive CEM 89/336/CEE and national transpositions.

GUARANTEE:

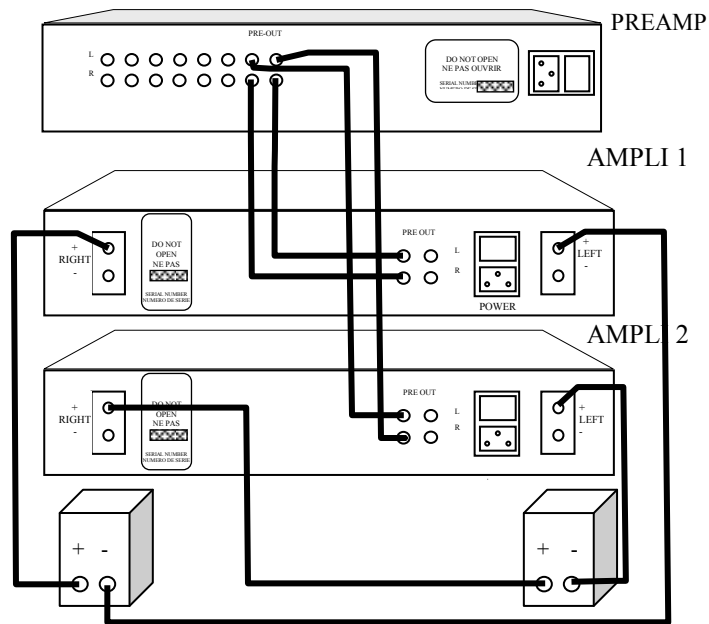
The guarantee is **two years** long from date of purchase. We recommend you to ask your dealer to fill the guarantee and to conserve it. The guarantee is only available for appliance which have been use correctly.

CLEANING:

Before any cleaning, switch off your amplifier (6). Use a soft and dry rag to clean up the appliance. Never use acetone, white-spirit, ammoniac, or any kind of product containing abrasive agent. Never try to clean up inside the appliance.

CONNECTING:

(Configuration: 1 Preamplifier & 2 bridged mono amplifier)



You have just bought an amplifier with exceptional audiophile performance. We really thank you for your confidence in our products. To get the best part of your amplifier, please read carefully this manual.

CAUTIONS :

- Put your amplifier in a dry and well ventilated place, far from source of heat;
- Do not put something on your amplifier;
- Do not make any plug in when the amplifier is on;
- Avoid any short-cut;
- Respect polarity + & - and switch left & right;
- Do not plug in two speakers in parallel on the same output.

TECHNICAL FACTS	AM200SIG
Power Wrms / ch. / 8 ohms (230v)	120 W
Power Wrms / ch. / 4 ohms (230v)	200 W
Alimentation :	660 VA
Total of capacitors :	62 000 μ F
Number of Inputs :	2X2
Input Impedance :	220 kohms
Sensitivity :	1,8 V
Rate Signal/Noise :	100 dB
Distortion at 1kHz :	0,005%
Frequency Response :	5Hz-200kHz
Rise Time :	1,5 μ s
Dimensions :	440*90*280mm
Weight :	12 Kg

You will find enclosed:

- a power amplifier AM200 Signature ;
- one powerlead;
- this manual with the certificate of guarantee.

ATOLL ELECTRONIQUE[®] is a French Company who conceive, manufacture and commercialise all its products.

OWNER'S MANUAL

Stereo Power Amplifier

AM200 Signature



GUARANTEE

To present to your dealer with the invoice when returning back the appliance:

Model AM200 *Signature*

ATOLL ELECTRONIQUE®
Bd des Merisiers
50370 BRECEY
FRANCE

Date of purchase :

Place of purchase :

Buyer signature :

Dealer Stamp

ATOLL
ELECTRONIQUE

The logo for ATOLL ELECTRONIQUE features the word "ATOLL" in a large, stylized, outlined font. Below it, the word "ELECTRONIQUE" is written in a smaller, spaced-out, all-caps font. A horizontal line is positioned below "ELECTRONIQUE".