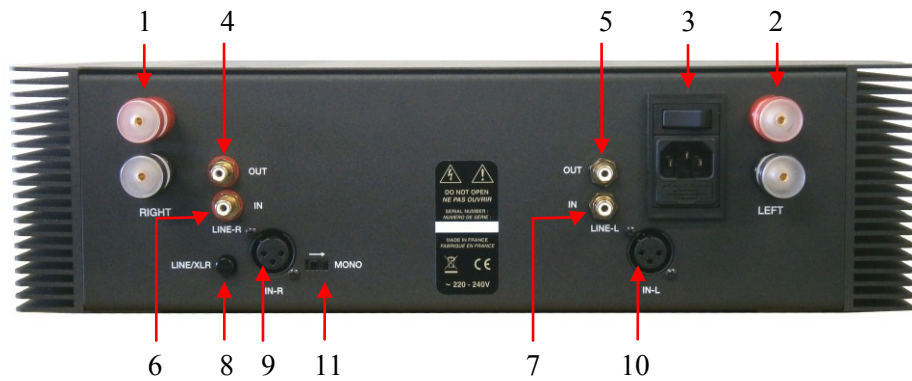


CONNECTINGS:

Rear view of Appliance:



- | | |
|---|----------------------------|
| 1) Left Speaker Output | 7) Left Analog Input |
| 2) Right Speaker Output | 8) Input type elector : |
| 3) On/Off Switch and general plug In (with protection fuse) | - Line: button pushed off |
| 4) Left Analog Output | - XLR: button pushed on |
| 5) Right Analog Output | 9) Left XLR Input |
| 6) Right Analog Input | 10) Right XLR Input |
| | 11) Switch for Mono bridge |

DETAILS OF FUNCTIONS:

Front view of Appliance:



- 12) Led indicator of switch On/Off.
- 13) Led indicator of mono bridge: **LED is ON when the power Amp have been activated on MONO before general switch on.**
- 14) Led indicator of XLR Input mode: the LED swithses on if the button (8) on the rear of the AM is on XLR position.

ADVISES:

- To optimise the performances of your amplifier, you should switch it on at least half an hour before any listening, the time for power stage to reach their ideal working temperature. Between two uses, it is better to let it on stand-by position, so that the power stages remains at their optimal temperatures.
- We advise you to use good wires to link with the other elements (CD player, loudspeakers...). Don't hesitate to take advises from your dealer.

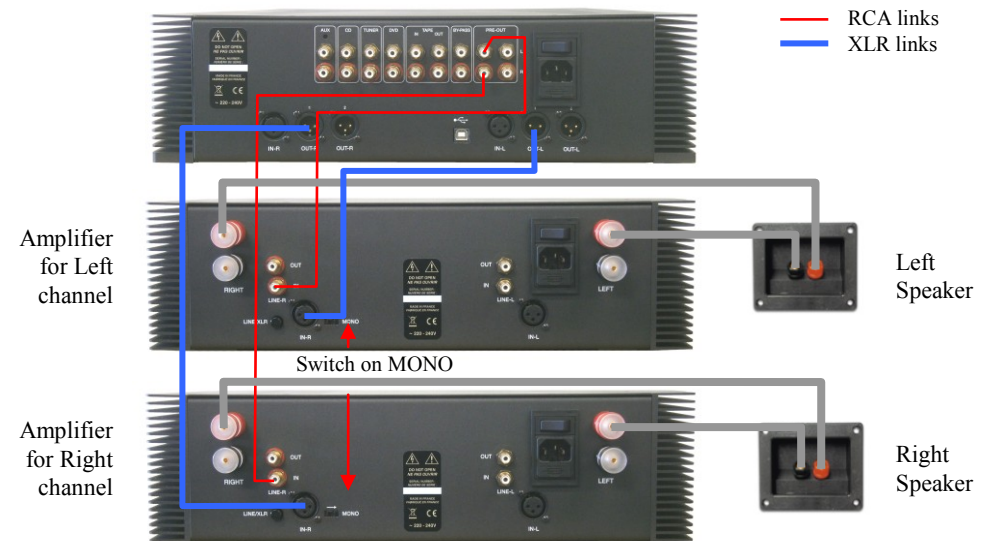
MODE BRIDGE MONO :

Careful : Switch OFF your appliance before using this mode.

You can transform your AM400 power amplifier as a mono bridge amplifier. Activate the Switch (11) at the rear of the appliance on MONO. PRE-OUT Outputs of the preamp must be connected to the **Right Inputs** of each Amplifier. For each Amplifier, terminal + (red) of the Right Output (1) has to be connected to the terminal + (red) of the speaker and terminal + (red) of the Left Output (2) to the terminal - (black) of the speaker. Wiring of the speakers will be the same while using RCA or XLR cables.

INTER-CONNECT

(Configuration: 1 Preamp and 2 power Amplifiers mono bridged)



E.C. MARKING:

E.C. marking certified the conformity with low tension directive 73/23/CEE, directive CEM 89/336/CEE and national transpositions.

CLEANING:

Before any cleaning, switch off your amplifier (9). Use a soft and dry rag to clean up the appliance. Never use acetone, white-spirit, ammoniac, or any kind of product containing abrasive agent. Never try to clean up inside the appliance.

GUARANTEE:

The guarantee is **two years** long from date of purchase. We recommend you to ask your dealer to fill the guarantee and to conserve it. The guarantee is only available for appliance which have been use correctly.

You have just bought an amplifier with exceptional audiophile performance. We really thank you for your confidence in our products. To get the best part of your amplifier, please read carefully this manual.

TECHNICAL DATAS	AM400
Efficacy power Wrms / chanel / 8 Ω (230v)	160 W
Efficacy power Wrms / chanel / 4 Ω (230v)	300 W
Efficacy power on bridge mono/ 8 Ω	600 W
Supplies :	1015 VA
Total of capacitors :	111 300 μ F
Number of Inputs :	1 line (+ 1 out) 1 XLR
Input Impedance :	220 k Ω
Sensibility :	1,7 V
signal/noise ratio :	100 dB
Distortion at 1kHz :	0,005%
Bandwidth:	5Hz-200kHz
Rising time :	1,5 μ s
Dimensions :	440*130*370mm
Weight :	19 Kg

CAUTIONS:

- Put your amplifier in a dry and well ventilated place, far from source of heat;
- Do not put something on your amplifier;
- Do not make any plug in when the amplifier is on;
- Avoid any short-cut;
- Respect polarity + & - and switch left & right;
- Do not plug in two speakers in parallel on the same output.

You will find enclosed:

- a power amplifier AM400 ;
- one powerlead;
- this manual with the certificate of guarantee.

ATOLL ELECTRONIQUE® is French Company who conceive, manufacture and commercialise all its products.

OWNER'S MANUAL

Stereo Power Amplifier



GUARANTEE

To present to your dealer with the invoice when returning back the appliance:

Model AM400

ATOLL ELECTRONIQUE®
Bd des Merisiers
50370 BRECEY
FRANCE

Date of purchase :

Place of purchase :

Buyer signature :

Dealer Stamp

AM400

ATOLL
ELECTRONIQUE